

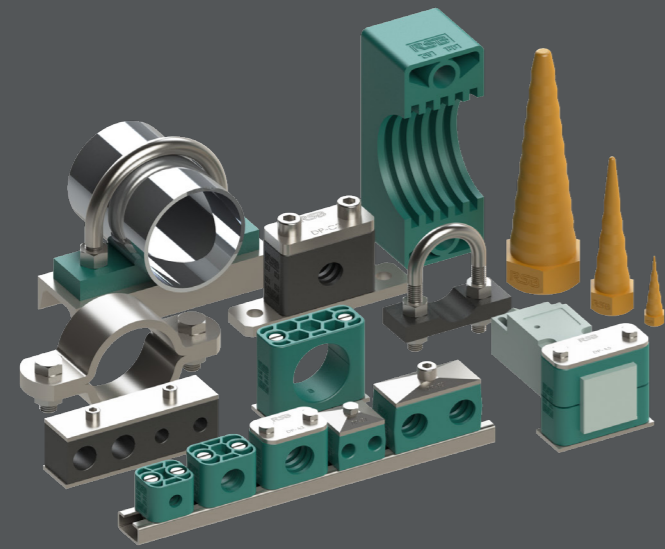
YOU CAN RELY ON US!

### IDEAL COMPONENTS FOR CONSTRUCTION MACHINERY - FKB TUBE CLAMPS

Whether as steel clamp, single or multi-clamp. With a smooth or a ribbed inner surface – all our products are ideally suited as impact resistant, weather-proof and reliable mounting aids. Renowned manufacturers of mobile cranes, excavators, wheel loaders, concrete pumps and other special vehicles rely on FKB.

Our range of products offers the ideal fastening solution for all needs!

Special solutions and customized products are part of our daily business.



As one of the leading manufacturers in the field of 'Fastening Technology', we offer you a comprehensive standard range of fastening solutions in accordance with DIN 3015.

Our RSB® team will be happy to advise you:

Tel. +49 7423 9298-0  
 Fax +49 7423 9298-55  
[fkf@fkf-gmbh.com](mailto:fkf@fkf-gmbh.com)  
[www.fkf-gmbh.com](http://www.fkf-gmbh.com)

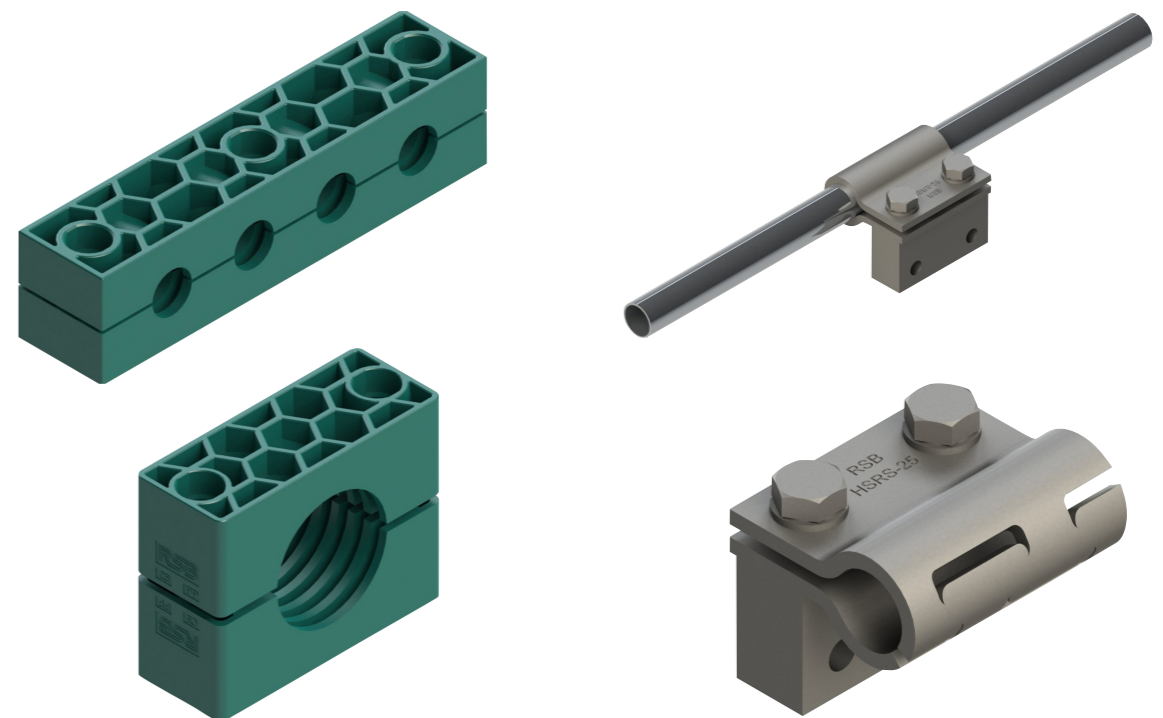


Wehrstraße 15 / 27  
 DE 78727 Oberndorf a.N.



# FASTENING TECHNOLOGY CONSTRUCTION MACHINERY

RSB® SOLUTIONS FOR CONSTRUCTION MACHINERY





## Hydraulic steel clamp 'HSRS'

Whether earthmoving, transport or lifting equipment – whether excavator, dump truck or crane: make your construction machinery fit with our RSB®-hydraulic tube clamp 'HSRS'!



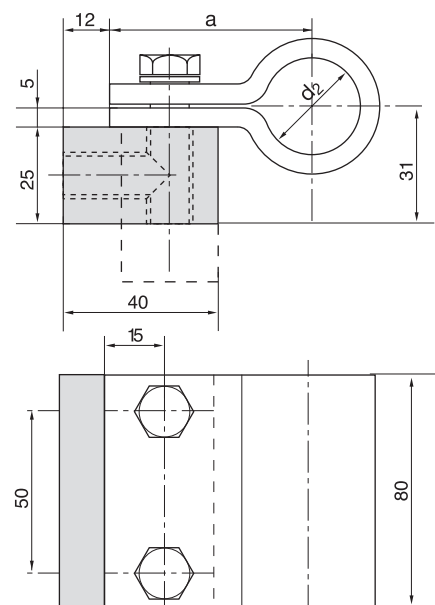
The robust design of the clamp has both an impact and vibration resistant effect. Subsequent laying of hydraulic lines – for example for attachments fitted on construction machinery - is possible at any time due to the low height of the clamp.  
The sound insulation insert provides for an improved noise reduction and ensures the safe fastening of sensitive tube and hose lines.

Order code:  
W1: zinc-plated steel HSRS-\*  
\* Please add Ø d2 to order code

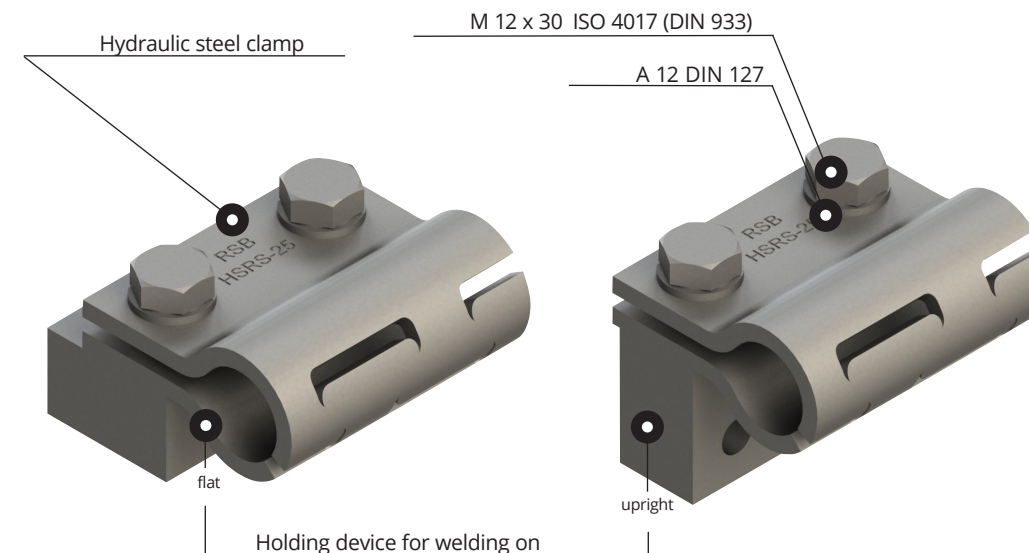
Hydraulic steel clamps HSRS are mainly used in the construction machinery sector.

The holding device is welded at a 90 degree angle or flat to the machine body or another component. The tube clamp is screwed on.

Order code	Dimensions	
	Ø d <sub>2</sub>	a
HSRS-25	25	52,5
HSRS-30	30	55
HSRS-35	35	57,5
HSRS-38	38	59
HSRS-42	42	61
HSRS-48	48	64
HSRS-50	50	65
HSRS-60 <sup>1)</sup>	60	70



## Hydraulic steel clamp 'HSRS' - Variants



## 'HSRS' optionally available with sound insulation insert



Order code: EE-\*  
\* Complete order code with nominal clamp size and outside diameter of the tube

Advantage:  
- improved sound and vibration insulation  
- safe fastening even of sensitive tube and hose lines  
- one clamp can cover different tube diameters

Material:  
TPE 64° Shore  
- high oil and weathering resistance  
- temperature resistance from -40 to +120°C

Order code	Nominal clamp size	Tube-Ø mm
	Ø d <sub>2</sub>	d <sub>1</sub>
EE 25-12	HSRS-25	12
EE 25-15	HSRS-25	15
EE 30-20	HSRS-30	20
EE 35-25	HSRS-35	25
EE 42-30	HSRS-42	30
EE 50-35	HSRS-50	35
EE 50-38		38
EE 50-42		42
EE 60-47	HSRS-60	47
EE 60-50		50