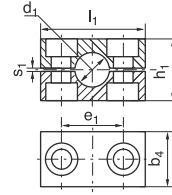
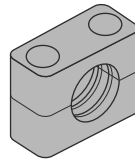


管箍订购编号:

聚丙烯 内部平滑	<b>RCPR</b> <b>RCPG<sup>1)</sup></b>	<i>Polypropylene</i> <i>inside smooth</i>	<b>RCPR</b> <b>RCPG<sup>1)</sup></b>
聚酰胺 6 内部平滑	<b>RCNR</b> <b>RCNG<sup>1)</sup></b>	<i>Polyamide 6</i> <i>inside smooth</i>	<b>RCNR</b> <b>RCNG<sup>1)</sup></b>
橡胶 铝	<b>RCAR</b> <b>RCAR</b>	<i>Rubber</i> <i>Aluminium</i>	<b>RCVR</b> <b>RCAR</b>

在“管箍”列以标准缩写 RCPR 代替  
Replace standard abbreviation RCPR in column "clamp-halves" as required.



管箍规格 Clamp size	外径 (mm) O.D. mm	管子规格 Tube NB	外径 (英寸) Inch O.D.	管箍编号 1 只管箍=两片组成 1 part 2 clamp-halves RCPR	管箍尺寸 2 clamp-halves RCPR-... l <sub>1</sub> h <sub>1</sub> e <sub>1</sub> s <sub>1</sub> b <sub>4</sub>
1	6	G 1/8	5/16	RCPR-106 RCPR-108 RCPR-110 RCPR-112 RCPR-112,7 RCPR-113,5 RCPR-114 RCPR-115 RCPR-116 RCPR-117,2 RCPR-118	56 32 33 2 30
	8				
	10				
	12,7	G 1/4	1/2		
	13,5				
	14	G 3/8	5/8		
15					
16					
17,2					
2	18	G 1/2	3/4	RCPR-219 RCPR-220 RCPR-221,3 RCPR-222 RCPR-223 RCPR-225 RCPR-225,9 RCPR-228 RCPR-230	71 48 45 2 30
	19				
	20				
	21,3				
	22				
	23				
25	G 3/4	1			
25					
26,9					
28					
30					
3	30	G 1	1 1/4	RCPR-330 RCPR-332 RCPR-333,7 RCPR-335 RCPR-338 RCPR-340 RCPR-342	86 60 60 2 30
	32				
	33,7				
	35				
	38				
	40				
42	G 1 1/4	1 1/2			
42					
44					
45					
48,3	G 1 1/4	1 1/2			
50					
51					
52					
55					
57					
60,3	G 2	2 1/4			
63					
65					
65					
70					
70					
5	70	G 2 1/2	3	RCPR-570 RCPR-573 RCPR-575 RCPR-576,1 RCPR-580 RCPR-582,5 RCPR-588,9 RCPR-590	154 120 122 5 60
	73				
	75				
	76,1				
	80				
	82,5				
88,9	G 3	3 1/4 3 1/2			
90					
90					
97					
100					
101,6					
108	G 4	4 4 1/4 4 1/2 5			
114,3					
127					
127					
130					
133					
140	G 5	5 1/4 5 1/2			
140					
150					
152,4					
159					
165,1					
168,3	G 6	6 6 1/4 6 1/2 6 5/8			
168,3					
168,3					
177,8					
193,7					
203					
219,1	G 8	6 5/8 7 7 5/8			
220					
220					
220					
220					
220					

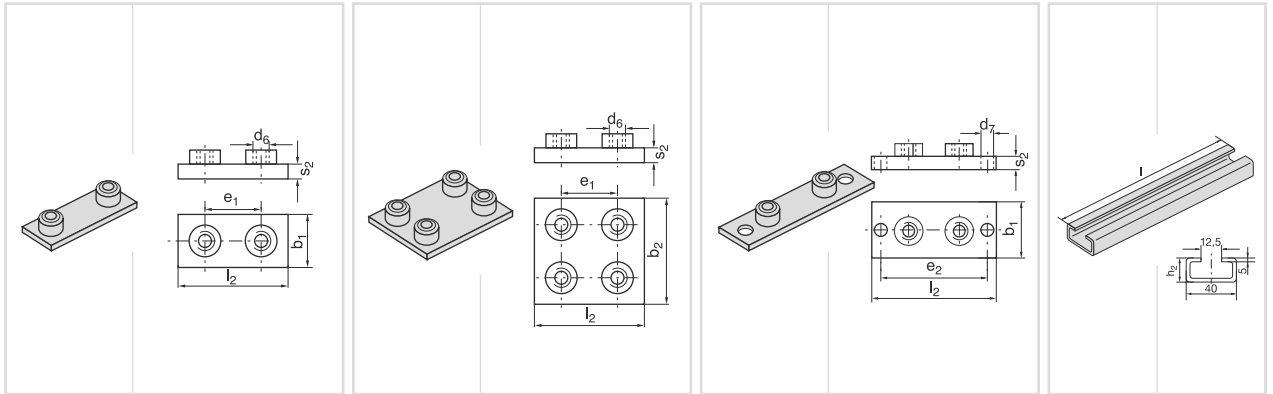
所有金属件都是不锈钢的。 <sup>1)</sup> 只有 1-4 号。

All metal parts available in stainless steel. <sup>1)</sup> Only sizes 1 - 4



全套范围请参考 32-34 页

Complete range please refer to pages 32 to 34



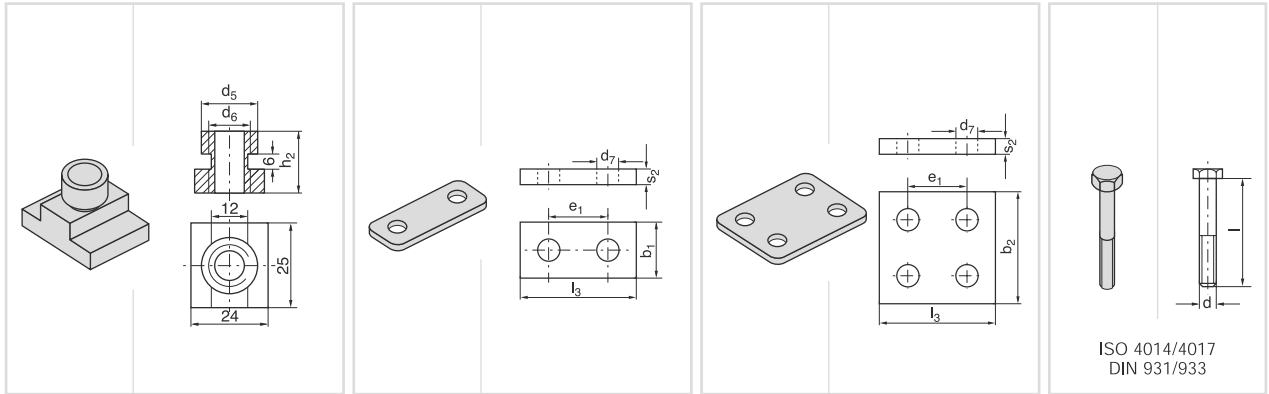
管箍规格 Clamp size	焊接板	焊接板	双焊接板	双焊接板	焊接/螺接板	焊接/螺接板	安装轨	安装轨
	Weld plate AP-C	Weld plate AP-C	Double weld plate APD-C	Double weld plate APD-C	Weld/screw plate APL-C	Weld/screw plate APL-C	TS-C	TS-C
		$e_1$ $b_1$ $l_2$ $s_2$ $d_6$		$e_1$ $b_2$ $l_2$ $s_2$ $d_6$		$l_2$ $b_1$ $s_2$ $e_2$ $d_7$		$l$ $h_2$
1	AP-C 1	33 30 73 8 M 10	APD-C 1	33 60 73 8 M 10	APL-C 1	113 30 8 85 11		
2	AP-C 2	45 30 84 8 M 10	APD-C 2	45 60 84 8 M 10	APL-C 2	125 30 8 97 11		
3	AP-C 3	60 30 100 8 M 10	APD-C 3	60 60 100 8 M 10	APL-C 3	140 30 8 112 11	TS-C 1 TS-C 2	1 m 1 m 22
4	AP-C 4	90 45 140 10 M 12	APD-C 4	90 90 140 10 M 12	APL-C 4	190 45 10 160 14		
5	AP-C 5	122 60 180 10 M 16	APD-C 5	122 120 180 10 M 16	APL-C 5	240 60 10 205 18		
6	AP-C 6	168 80 225 15 M 20	APD-C 6	168 160 225 15 M 20	APL-C 6	310 80 15 270 22		
7	AP-C 7	205 90 270 15 M 24	APD-C 7	205 180 270 15 M 24	APL-C 7	370 90 15 320 26		
8	AP-C 8	265 120 340 25 M 30	APD-C 8	265 240 340 25 M 30	APL-C 8	450 120 25 390 33		

所有金属件都是不锈钢的。  
All metal parts available in stainless steel.



全套范围请参考 32-34 页

Complete range please refer to pages 32 to 34



管箍规格 Clamp size	轨螺母	轨螺母	盖板	盖板	双盖板	双盖板	六角螺栓	六角螺栓
	Rail nut TM-C	Rail nut TM-C h <sub>2</sub> d <sub>5</sub> d <sub>6</sub>	Cover plate DP-C	Cover plate DP-C l <sub>3</sub> e <sub>1</sub> b <sub>1</sub> s <sub>2</sub> d <sub>7</sub>	Double cover plate DPD-C	Double cover plate DPD-C l <sub>3</sub> e <sub>1</sub> b <sub>2</sub> s <sub>2</sub> d <sub>7</sub>	Hex. head SS-C	Hex. head SS-C d x l
1			DP-C 1	55 33 30 8 11	DPD-C 1	55 33 60 8 11	SS-C 1	M 10 x 40
2	TM-C 1	20 17,8 M 10	DP-C 2	70 45 30 8 11	DPD-C 2	70 45 60 8 11	SS-C 2	M 10 x 60
3			DP-C 3	85 60 30 8 11	DPD-C 3	85 60 60 8 11	SS-C 3	M 10 x 70
4	TM-C 4	23 19,8 M 12	DP-C 4	115 90 45 10 14	DPD-C 4	115 90 90 10 14	SS-C 4	M 12 x 100
5			DP-C 5	152 122 60 10 18	DPD-C 5	152 122 120 10 18	SS-C 5	M 16 x 130
6			DP-C 6	205 168 80 15 22	DPD-C 6	205 168 160 15 24	SS-C 6	M 20 x 190
7			DP-C 7	250 205 90 15 28	DPD-C 7	250 205 180 15 28	SS-C 7	M 24 x 220
8			DP-C 8	322 265 120 25 35	DPD-C 8	322 265 240 25 34	SS-C 8	M 30 x 300

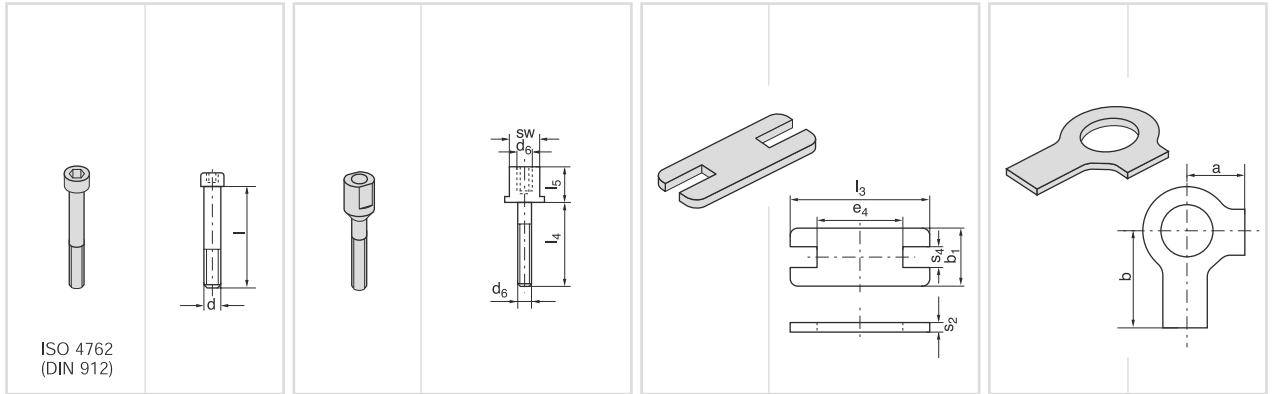
所有金属件都是不锈钢的。

All metal parts available in stainless steel.



全套范围请参考 32-34 页

Complete range please refer to pages 32 to 34



管箍规格 Clamp size	凹头螺栓		复合螺栓		防松板		锁紧垫圈	
	Socket head IS-C	Socket head IS-C d x l	Stacking AS-C	Stacking AS-C l <sub>4</sub> l <sub>5</sub> d <sub>6</sub> SW	Locking plate <sup>1)</sup> SP-C	Locking plate <sup>1)</sup> SP-C l <sub>3</sub> b <sub>1</sub> s <sub>2</sub> e <sub>4</sub> s <sub>4</sub>	Locking washer <sup>2)</sup> US-C	Locking washer <sup>2)</sup> US-C a b
1	IS-C 1	M 10 x 40	AS-C 1	25 26 M 10 15	SP-C 1	55 30 8 14 15,5		
2	IS-C 2	M 10 x 60	AS-C 2	40 26 M 10 15	SP-C 2	70 30 8 26 15,5	US-C 1	13 22
3	IS-C 3	M 10 x 70	AS-C 3	50 26 M 10 15	SP-C 3	85 30 8 41 15,5		
4	IS-C 4	M 12 x 100	AS-C 4	85 27 M 12 17	SP-C 4	115 45 10 69 17,5	US-C 4	15 28
5	IS-C 5	M 16 x 130	AS-C 5	110 36 M 16 21	SP-C 5	152 60 10 97 21,5	US-C 5	18 32
6	IS-C 6	M 20 x 190	AS-C 6	155 51 M 20 27	SP-C 6	205 80 15 137 27,5	US-C 6	21 36
7	IS-C 7	M 24 x 220	AS-C 7	185 60 M 24 30	SP-C 7	250 90 15 169 30,5	US-C 7	25 42
8	IS-C 8	M 30 x 300	AS-C 8	250 80 M 30 36	SP-C 8	320 120 25 219 36,5	US-C 8	32 52

<sup>1)</sup> 使用复合螺栓固定时, 必须采用防松板。

<sup>2)</sup> 装配硬橡胶管箍时, 必须使用盖板、六角螺栓和锁紧垫圈。

<sup>1)</sup>The usage of stacking bolts necessitates the deployment of locking plates during the construction assembly.

<sup>2)</sup>When assembling solid rubber clamps, cover plates, hexagon screws and locking washers must be used. All metal parts available in stainless steel.



管箍订购编号:

聚丙烯  
内部平滑

**RCPR**  
**RCPG<sup>1)</sup>**

聚酰胺 6  
内部平滑

**RCNR**  
**RCNG<sup>1)</sup>**

橡胶  
铝

**RCVR\***  
**RCAR**

在“订购编号”列以标准缩写 RCPR 代替

Order codes

for clamp-halves:

Polypropylene **RCPR**  
inside smooth **RCPG<sup>1)</sup>**

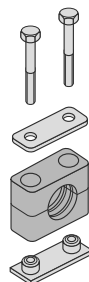
Polyamide 6 **RCNR**  
inside smooth **RCNG<sup>1)</sup>**

Rubber **RCVR\***  
Aluminium **RCAR**

Replace standard abbreviation  
RCPR in column "Order codes"  
as required.

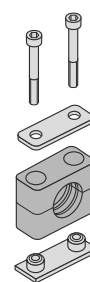
管箍 (上、下两部分), 焊  
接板、盖板和六角螺栓

2 clamp halves with weld  
cover plate and hex. head bolts



管箍 (上、下两部分), 焊  
接板、盖板和凹头螺栓

2 clamp halves with weld plate,  
cover plate and socket head bolts



管箍规格 Clamp size	外径 (mm) O.D. mm	管子规格 Tube NB	外径 (英寸) Inch O.D.	订购编号 Order Codes	订购编号 Order Codes
1	6	G 1/8	5/16	RCPR 1-106 RCPR 1-108 RCPR 1-110 RCPR 1-112 RCPR 1-112,7 RCPR 1-113,5 RCPR 1-114 RCPR 1-115 RCPR 1-116 RCPR 1-117,2 RCPR 1-118	RCPR 2-106 RCPR 2-108 RCPR 2-110 RCPR 2-112 RCPR 2-112,7 RCPR 2-113,5 RCPR 2-114 RCPR 2-115 RCPR 2-116 RCPR 2-117,2 RCPR 2-118
	8				
	10				
	12,7	G 1/4	1/2		
	13,5				
	14	G 3/8	5/8		
15					
16					
17,2					
2	18	G 1/2	3/4	RCPR 1-219 RCPR 1-220 RCPR 1-221,3 RCPR 1-222 RCPR 1-223 RCPR 1-225 RCPR 1-225,9 RCPR 1-228 RCPR 1-230	RCPR 2-219 RCPR 2-220 RCPR 2-221,3 RCPR 2-222 RCPR 2-223 RCPR 2-225 RCPR 2-225,9 RCPR 2-228 RCPR 2-230
	19				
	20				
	21,3				
	22				
	23				
3	25	G 1	1 1/4	RCPR 1-330 RCPR 1-332 RCPR 1-333,7 RCPR 1-335 RCPR 1-338 RCPR 1-340 RCPR 1-342	RCPR 2-330 RCPR 2-332 RCPR 2-333,7 RCPR 2-335 RCPR 2-338 RCPR 2-340 RCPR 2-342
	26,9				
	28				
	28,9				
	30				
	30				
32					
33,7					
35					
38					
40					
4	42	G 2	2 1/4	RCPR 1-570 RCPR 1-573 RCPR 1-575 RCPR 1-576,1 RCPR 1-580 RCPR 1-582,5 RCPR 1-588,9 RCPR 1-590	RCPR 2-570 RCPR 2-573 RCPR 2-575 RCPR 2-576,1 RCPR 2-580 RCPR 2-582,5 RCPR 2-588,9 RCPR 2-590
	42				
	45				
	48,3				
	50				
	51				
5	52	G 3 1/2	4	RCPR 1-690 RCPR 1-697 RCPR 1-6100 RCPR 1-6101,6 RCPR 1-6108 RCPR 1-6114,3 RCPR 1-6127	RCPR 2-690 RCPR 2-697 RCPR 2-6100 RCPR 2-6101,6 RCPR 2-6108 RCPR 2-6114,3 RCPR 2-6127
	55				
	57				
	60,3				
	63				
	65				
6	70	G 5	5 1/4	RCPR 1-7127 RCPR 1-7130 RCPR 1-7133 RCPR 1-7140 RCPR 1-7150 RCPR 1-7152,4 RCPR 1-7159 RCPR 1-7165,1 RCPR 1-7168,3	RCPR 2-7127 RCPR 2-7130 RCPR 2-7133 RCPR 2-7140 RCPR 2-7150 RCPR 2-7152,4 RCPR 2-7159 RCPR 2-7165,1 RCPR 2-7168,3
	73				
	75				
	76,1				
	80				
	82,5				
7	88,9	G 6	6 1/4	RCPR 1-8168,3 RCPR 1-8177,8 RCPR 1-8193,7 RCPR 1-8203 RCPR 1-8219,1 RCPR 1-8220	RCPR 2-8168,3 RCPR 2-8177,8 RCPR 2-8193,7 RCPR 2-8203 RCPR 2-8219,1 RCPR 2-8220
	90				
	90				
	97				
	100				
	101,6				
8	108	G 8	8 5/8		
	114,3				
	127				
	127				
	130				
	133				
140					
150					
152,4					
159					
165,1					
168,3					
168,3					
177,8					
193,7					
203					
219,1					
220					

如果需要不同的组合, 请分成单个部件订购 (请参考 28-31 页单个部件), 非常感谢! 发货以不可拆卸的单个部件形式。

<sup>1)</sup> 只有 1-4 号规格。

If different combinations are required, we would be obliged if they could be ordered as separate components (Please refer to individual components, pages 28 – 31). Delivery in unassembled individual components. <sup>1)</sup> Only sizes 1 – 4

\*只用盖板、六角螺栓和锁紧垫圈。

\*Only with cover plate, hexagon screws and locking washers

管箍订购编号:

聚丙烯 内部平滑	<b>RCPR</b> <b>RCPG<sup>1)</sup></b>
聚酰胺 6 内部平滑	<b>RCNR</b> <b>RCNG<sup>1)</sup></b>
橡胶 铝	<b>RCVR*</b> <b>RCAR</b>

在“订购编号”列以标准缩写 RCPR 代替

Order codes

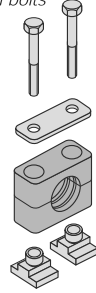
for clamp-halves:  
Polypropylene **RCPR**  
inside smooth **RCPG<sup>1)</sup>**

Polyamide 6 **RCNR**  
inside smooth **RCNG<sup>1)</sup>**

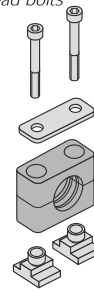
Rubber **RCVR\***  
Aluminium **RCAR**

Replace standard abbreviation  
RCPR in column "Order codes"  
as required.

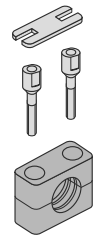
管箍 (上、下两部分), 轨螺母、盖板和六角螺栓



管箍 (上、下两部分), 轨螺母, 盖板和凹头螺栓



管箍 (上、下两部分), 防松板和复合螺栓



管箍规格 Clamp size	外径 (mm) O.D. mm	管子规格 Tube NB	外径 (英寸) Inch O.D.		
1	6	G 1/8	5/16		
	8				
	10				
	12,7				
	13,5	G 1/4	1/2		
	14				
	15	G 3/8	5/8		
	16				
	17,2				
	18				
2	19	G 1/2	3/4		
	20				
	21,3				
	22				
	23	G 3/4	1		
	25				
	26,9				
	28				
	30				
	30				
3	30	G 1	1 1/4		
	32				
	33,7				
	35				
	38	G 1 1/4	1 1/2		
	40				
	42				
	38			G 1 1/4	1 1/2
	40				
	42				
42					
4	38	G 1 1/4	1 1/2		
	40				
	42				
	45				
	48,3	G 1 1/4	2		
	50				
	51				
	52				
	55				
	57				
60,3	G 2	2 1/4			
63					
65					
70					
5	70	G 2 1/2	3		
	73				
	75				
	76,1				
	80	G 3	3 1/4		
	82,5				
	88,9				
	90				
	90				
	90				
6	90	G 3 1/2	4		
	97				
	100				
	101,6				
	108	G 4	4 1/4		
	114,3				
	127				
	127			G 5	5 1/4
	130				
	133				
140					
150	G 5 1/2	6			
152,4					
159					
165,1					
168,3					
168,3					
8	168,3	G 8	6 5/8		
	177,8				
	193,7				
	203				
	219,1	G 8	7 5/8		
	220				
	220				
	220				
	220				
	220				

订购编号 Order Codes	订购编号 Order Codes	订购编号 Order Codes
RCPR 3-106 RCPR 3-108 RCPR 3-110 RCPR 3-112 RCPR 3-112,7 RCPR 3-113,5 RCPR 3-114 RCPR 3-115 RCPR 3-116 RCPR 3-117,2 RCPR 3-118	RCPR 4-106 RCPR 4-108 RCPR 4-110 RCPR 4-112 RCPR 4-112,7 RCPR 4-113,5 RCPR 4-114 RCPR 4-115 RCPR 4-116 RCPR 4-117,2 RCPR 4-118	RCPR 5-106 RCPR 5-108 RCPR 5-110 RCPR 5-112 RCPR 5-112,7 RCPR 5-113,5 RCPR 5-114 RCPR 5-115 RCPR 5-116 RCPR 5-117,2 RCPR 5-118
RCPR 3-219 RCPR 3-220 RCPR 3-221,3 RCPR 3-222 RCPR 3-223 RCPR 3-225 RCPR 3-225,9 RCPR 3-228 RCPR 3-230	RCPR 4-219 RCPR 4-220 RCPR 4-221,3 RCPR 4-222 RCPR 4-223 RCPR 4-225 RCPR 4-226,9 RCPR 4-228 RCPR 4-230	RCPR 5-219 RCPR 5-220 RCPR 5-221,3 RCPR 5-222 RCPR 5-223 RCPR 5-225 RCPR 5-226,9 RCPR 5-228 RCPR 5-230
RCPR 3-330 RCPR 3-332 RCPR 3-333,7 RCPR 3-335 RCPR 3-338 RCPR 3-340 RCPR 3-342	RCPR 4-330 RCPR 4-332 RCPR 4-333,7 RCPR 4-335 RCPR 4-338 RCPR 4-340 RCPR 4-342	RCPR 5-330 RCPR 5-332 RCPR 5-333,7 RCPR 5-335 RCPR 5-338 RCPR 5-340 RCPR 5-342
RCPR 3-438 RCPR 3-440 RCPR 3-442 RCPR 3-445 RCPR 3-448,3 RCPR 3-450 RCPR 3-451 RCPR 3-452 RCPR 3-455 RCPR 3-457 RCPR 3-460,3 RCPR 3-463 RCPR 3-465 RCPR 3-470	RCPR 4-438 RCPR 4-440 RCPR 4-442 RCPR 4-445 RCPR 4-448,3 RCPR 4-450 RCPR 4-451 RCPR 4-452 RCPR 4-455 RCPR 4-457 RCPR 4-460,3 RCPR 4-463 RCPR 4-465 RCPR 4-470	RCPR 5-438 RCPR 5-440 RCPR 5-442 RCPR 5-445 RCPR 5-448,3 RCPR 5-450 RCPR 5-451 RCPR 5-452 RCPR 5-455 RCPR 5-457 RCPR 5-460,3 RCPR 5-463 RCPR 5-465 RCPR 5-470
		RCPR 5-570 RCPR 5-573 RCPR 5-575 RCPR 5-576,1 RCPR 5-580 RCPR 5-582,5 RCPR 5-588,9 RCPR 5-590
		RCPR 5-690 RCPR 5-697 RCPR 5-6100 RCPR 5-6101,6 RCPR 5-6108 RCPR 5-6114,3 RCPR 5-6127
		RCPR 5-7127 RCPR 5-7130 RCPR 5-7133 RCPR 5-7140 RCPR 5-7150 RCPR 5-7152,4 RCPR 5-7159 RCPR 5-7165,1 RCPR 5-7168,3
		RCPR 5-8168,3 RCPR 5-8177,8 RCPR 5-8193,7 RCPR 5-8203 RCPR 5-8219,1 RCPR 5-8220

如果需要不同的组合, 请分成单个部件订购 (请参考 28-31 页单个部件), 非常感谢! 发货以不可拆卸的单个部件形式。

<sup>1)</sup> 只有 1-4 号规格。

If different combinations are required, we would be obliged if they could be ordered as separate components (Please refer to individual components, pages 28 – 31). Delivery in unassembled individual components. <sup>1)</sup> Only sizes 1 – 4

\*只用盖板、六角螺栓和锁紧垫圈。

<sup>1)</sup> Only with cover plate, hexagon screws and locking washers

管箍订购编号:

聚丙烯  
内部平滑

RCPDR  
RCPDG<sup>1)</sup>

聚酰胺 6  
内部平滑

RCNDR  
RCNDG<sup>1)</sup>

橡胶  
铝

RCVDR\*  
RCADR

在“订购编号”列以标准缩写 RCPDR 代替

Order codes

for clamp-halves:

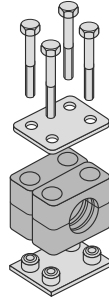
Polypropylene **RCPDR**  
inside smooth **RCPDG<sup>1)</sup>**

Polyamide 6 **RCNDR**  
inside smooth **RCNDG<sup>1)</sup>**

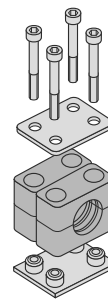
Rubber **RCVDR\***  
Aluminium **RCADR**

Replace standard abbreviation  
RCPDR in column "Order codes"  
as required.

两只管箍 (4 片), 双焊接板、双盖板和六角螺栓  
4 clamp halves with double weld plate, double cover plate and hex. head bolts



两只管箍 (4 片), 双焊接板, 双盖板和凹头螺栓  
4 clamp halves with double weld plate, double cover plate and socket head bolts



管箍规格 Clamp size	外径 (mm) O.D. mm	管子规格 Tube NB	外径 (英寸) Inch O.D.	
1	6	G 1/8	5/16	
	8			
	10			
	12	G 1/4	1/2	
	12,7			
	13,5			
14	G 3/8	5/8		
15				
16				
17,2				
2	18	G 1/2	3/4	
	19			
	20			
	21,3	G 3/4	1	
	22			
	23			
25	G 1	1 1/4		
26,9				
28				
30				
3	30	G 1 1/4	1 1/2	
	32			
	33,7			
	35	G 2	2 1/4	
	38			
	40			
	42			
	4	42	G 2	2 1/2
		44		
		45		
48,3		G 2 1/2	3	
50				
51				
52				
55		G 3	3 1/4	
57				
60,3				
63				
5	65	G 3 1/2	4 1/4	
	70			
	75			
	76,1	G 4	4 1/2	
	80			
	82,5			
88,9	G 5	5 1/4		
90				
6	90	G 5 1/2	6 1/4	
	97			
	100			
	101,6	G 6	6 1/2	
	108			
	114,3			
	127	G 8	8 5/8	
	127			
	130			
	133			
7	140	G 8	8 5/8	
	150			
	152,4			
	159	G 8	8 5/8	
	165,1			
	168,3			
8	168,3	G 8	8 5/8	
	177,8			
	193,7			
	203	G 8	8 5/8	
	219,1			
	220			

订购编号 Order Codes
RCPDR 1-106
RCPDR 1-108
RCPDR 1-110
RCPDR 1-112
RCPDR 1-112,7
RCPDR 1-113,5
RCPDR 1-114
RCPDR 1-115
RCPDR 1-116
RCPDR 1-117,2
RCPDR 1-118
RCPDR 1-219
RCPDR 1-220
RCPDR 1-221,3
RCPDR 1-222
RCPDR 1-223
RCPDR 1-225
RCPDR 1-225,9
RCPDR 1-228
RCPDR 1-230
RCPDR 1-330
RCPDR 1-332
RCPDR 1-333,7
RCPDR 1-335
RCPDR 1-338
RCPDR 1-340
RCPDR 1-342
RCPDR 1-438
RCPDR 1-440
RCPDR 1-442
RCPDR 1-445
RCPDR 1-448,3
RCPDR 1-450
RCPDR 1-451
RCPDR 1-452
RCPDR 1-455
RCPDR 1-457
RCPDR 1-460,3
RCPDR 1-463
RCPDR 1-465
RCPDR 1-470
RCPDR 1-570
RCPDR 1-573
RCPDR 1-575
RCPDR 1-576,1
RCPDR 1-580
RCPDR 1-582,5
RCPDR 1-588,9
RCPDR 1-590
RCPDR 1-690
RCPDR 1-697
RCPDR 1-6100
RCPDR 1-6101,6
RCPDR 1-6108
RCPDR 1-6114,3
RCPDR 1-6127
RCPDR 1-7127
RCPDR 1-7130
RCPDR 1-7133
RCPDR 1-7140
RCPDR 1-7150
RCPDR 1-7152,4
RCPDR 1-7159
RCPDR 1-7165,1
RCPDR 1-7168,3
RCPDR 1-8168,3
RCPDR 1-8177,8
RCPDR 1-8193,7
RCPDR 1-8203
RCPDR 1-8219,1
RCPDR 1-8220

订购编号 Order Codes
RCPDR 2-106
RCPDR 2-108
RCPDR 2-110
RCPDR 2-112
RCPDR 2-112,7
RCPDR 2-113,5
RCPDR 2-114
RCPDR 2-115
RCPDR 2-116
RCPDR 2-117,2
RCPDR 2-118
RCPDR 2-219
RCPDR 2-220
RCPDR 2-221,3
RCPDR 2-222
RCPDR 2-223
RCPDR 2-225
RCPDR 2-225,9
RCPDR 2-228
RCPDR 2-230
RCPDR 2-330
RCPDR 2-332
RCPDR 2-333,7
RCPDR 2-335
RCPDR 2-338
RCPDR 2-340
RCPDR 2-342
RCPDR 2-438
RCPDR 2-440
RCPDR 2-442
RCPDR 2-445
RCPDR 2-448,3
RCPDR 2-450
RCPDR 2-451
RCPDR 2-452
RCPDR 2-455
RCPDR 2-457
RCPDR 2-460,3
RCPDR 2-463
RCPDR 2-465
RCPDR 2-470
RCPDR 2-570
RCPDR 2-573
RCPDR 2-575
RCPDR 2-576,1
RCPDR 2-580
RCPDR 2-582,5
RCPDR 2-588,9
RCPDR 2-590
RCPDR 2-690
RCPDR 2-697
RCPDR 2-6100
RCPDR 2-6101,6
RCPDR 2-6108
RCPDR 2-6114,3
RCPDR 2-6127
RCPDR 2-7127
RCPDR 2-7130
RCPDR 2-7133
RCPDR 2-7140
RCPDR 2-7150
RCPDR 2-7152,4
RCPDR 2-7159
RCPDR 2-7165,1
RCPDR 2-7168,3
RCPDR 2-8168,3
RCPDR 2-8177,8
RCPDR 2-8193,7
RCPDR 2-8203
RCPDR 2-8219,1
RCPDR 2-8220

如果需要不同的组合, 请分成单个部件订购 (请参考 28-31 页单个部件), 非常感谢! 发货以不可拆卸的单个部件形式。

<sup>1)</sup> 只有 1-4 号规格。

If different combinations are required, we would be obliged if they could be ordered as separate components (Please refer to individual components, pages 28 – 31). Delivery in unassembled individual components. <sup>1)</sup>Only sizes 1 – 4

\*只用盖板、六角螺栓和锁紧垫圈。

\*Only with cover plate, hexagon screws and locking washers