

# 2 + 5 ... 组合管箍!

只需两种规格

## 2+5 ... the system!

Only 2 tube clamp sizes

只要一块螺母间距相等的复式焊接板就能适配所有 2+5 组合管箍的安装。

*Only one multiple weldplate with similar weldnut distances suits all tube clamps of size 2+5*

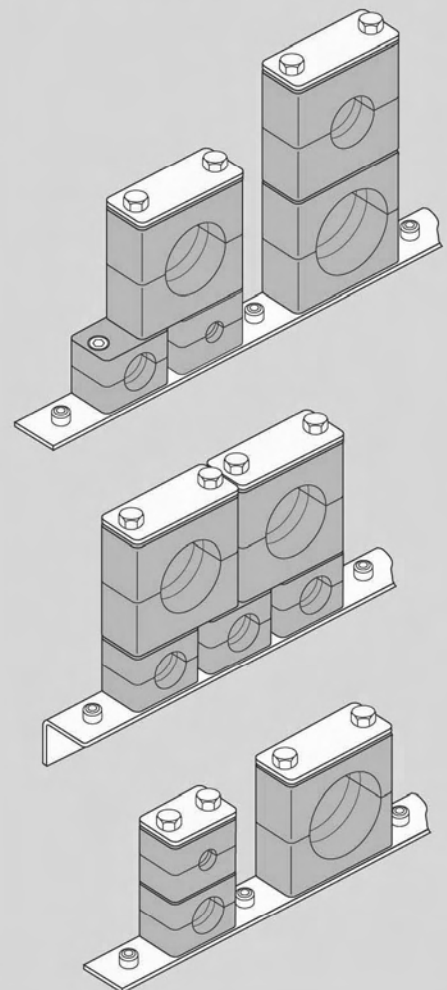
采用我们的 2+5 组合管箍，只需两种规格就可以固定直径在 6-42mm 之间的所有管子。

- 装配容易，可以进行各种组合
- 所有标准金属件都适用 (DIN3015 标准)

**With our 2+5 RSB-Tube clamps system you can fix all tube diameters between 6 and 42 mm with only 2 tube clamp sizes.**

*- easy assembly, can be combined with all versions*

*- all metal parts of our standard program according to DIN 3015 can be used*



管箍订购编号:

聚丙烯  
内部平滑

RAPR  
RAPG

聚酰胺 6  
内部平滑

RANR  
RANG

橡胶

RAVG

在“管箍”列以标准缩写 RAPR 代替

Order codes

for clamp-halves:

Polypropylene  
inside smooth

RAPR  
RAPG

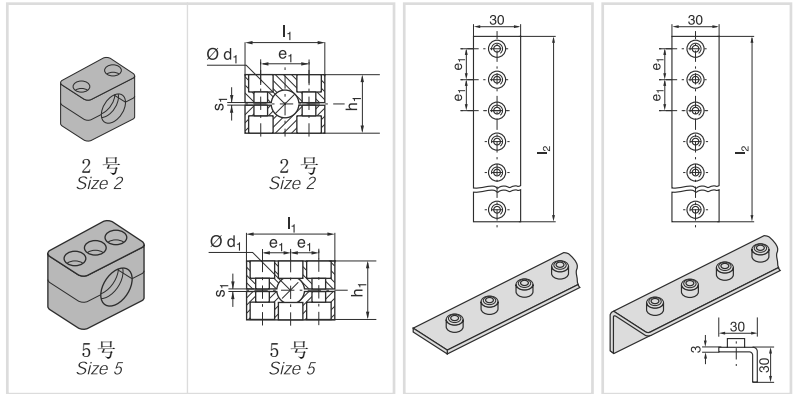
Polyamide 6  
inside smooth

RANR  
RANG

Rubber

RAVG

Replace standard abbreviation  
RAPR in column "clamp-halves"  
as required.



| 管箍规格<br>Clamp size | 外径 (mm)<br>O.D. mm | 管子规格<br>Tube NB | 外径 (英寸)<br>Inch O.D. | 管箍编号<br>1 只管箍=两片组成<br>1 part<br>2 clamp-halves<br>RAPR | 管箍尺寸<br>2 clamp-halves<br>RAPR-...<br>l <sub>1</sub> h <sub>1</sub> e <sub>1</sub> s <sub>1</sub> | 复式焊接板<br>Multiple weld plate<br>APRL-A 2<br>e <sub>1</sub> l <sub>2</sub> | 角铁型复式焊接板<br>Multiple weld plate, angled<br>APRWL-A 2<br>e <sub>1</sub> l <sub>2</sub> |     |            |       |            |
|--------------------|--------------------|-----------------|----------------------|--|---|---|---|-----|------------|-------|------------|
| 2                  | 6                  | G 1/8           | 1/4                  | RAPR-206   | 40 33 26 0,8  |   |   |     |            |       |            |
|                    | 6,4                |                 |                      | RAPR-206,4   |   |   |   |     |            |       |            |
|                    | 8                  |                 |                      | RAPR-208   |   |   |   |     |            |       |            |
|                    | 9,5                |                 |                      | RAPR-209,5   |   |   |   |     |            |       |            |
|                    | 10                 |                 |                      | RAPR-210   |   |   |   |     |            |       |            |
|                    | 12                 |                 |                      | RAPR-212   |   |   |   |     |            |       |            |
|                    | 12,7               | G 1/4           | 1/2                  | RAPR-212,7   |   |   |   |     |            |       |            |
|                    | 13,5               |                 |                      | RAPR-213,5   |   |   |   |     |            |       |            |
|                    | 14                 |                 |                      | RAPR-214   |   |   |   |     |            |       |            |
|                    | 15                 |                 |                      | RAPR-215   |   |   |   |     |            |       |            |
|                    | 16                 |                 |                      | RAPR-216   |   |   |   |     |            |       |            |
|                    | 17,2               |                 |                      | G 3/8  |   |   |   | 5/8 | RAPR-217,2 |       |            |
| 18                 | RAPR-218           |                 |                      |  |   |   |   |     |            |       |            |
| 5                  | 19                 | G 1/2           | 3/4                  | RAPR-519   | 70 58 26 1,2  | 26 508<br>20 只螺母 / 1 Nuts   | 26 508<br>20 只螺母 / 1 Nuts   |     |            |       |            |
|                    | 20                 |                 |                      | RAPR-520   |   |   |   |     |            |       |            |
|                    | 21,3               |                 |                      | RAPR-521,3   |   |   |   |     |            |       |            |
|                    | 22                 |                 |                      | RAPR-522   |   |   |   |     |            |       |            |
|                    | 23                 |                 |                      | RAPR-523   |   |   |   |     |            |       |            |
|                    | 25                 |                 |                      | RAPR-525   |   |   |   |     |            |       |            |
|                    | 26,9               |                 |                      | G 3/4  |   |   |   | 1   | RAPR-526,9 |       |            |
|                    | 28                 |                 |                      |  |   |   |   |     | RAPR-528   |       |            |
|                    | 30                 |                 |                      |  |   |   |   |     | RAPR-530   |       |            |
|                    | 32                 |                 |                      |  |   |   |   |     | RAPR-532   |       |            |
|                    | 33,7               |                 |                      |  |   |   |   |     | G 1        | 1 1/4 | RAPR-533,7 |
|                    | 35                 |                 |                      |  |   |   |   |     |            |       | RAPR-535   |
| 38                 | RAPR-538           |                 |                      |  |   |   |   |     |            |       |            |
| 40                 | RAPR-540           |                 |                      |  |   |   |   |     |            |       |            |
| 42                 | G 1 1/4            | 1 1/2           | RAPR-542             |  |   |   |   |     |            |       |            |

装配硬橡胶管箍时, 必须使用盖板、六角螺母和锁紧垫圈。所有金属件都是不锈钢的。

When assembling solid rubber clamps, covering plates, hexagon screws and locking washers must be used.  
All metal parts available in stainless steel.

