

标 牌

安装灵活，信息提示，用途广泛

Labeling system

Flexible assembly, informative symbols, variable areas of application

标牌

RSB 标牌由底架和盖子组成，蚀刻的铭牌插于其间。

适用范围

固定方式多样，最简单的方式是用螺栓固定，也可以用钢带系牢（如：用作绝缘管道的标示），以及其它方式。具有非常广泛的适用性：

- 用于气、水、电和热设备的标牌
- 用于船舶、航空和矿业设备，以及液压和开关设备

稳定性

盖板起着保护作用，保证铭牌数据多年后依然一直清晰可见。容易清洁和更换，是非常好的环保产品

The system

The RSB-Labeling System consists of plates support and cover, into which the engraved plate of solid or double layer material is inserted.

Areas of application

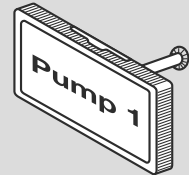
The versatility of fixing possibilities, from the simplest screw assembly via straps to special supports for insulated tubes, enables every in practice occurring type of labelling:

- *Building systems with gas, water, electro and heating installations*
- *industrial installations in the naval, aero and mining technology, as well as in the hydraulic and switchgear field*

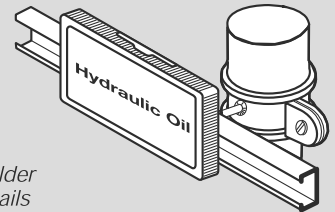
Stability

The protective effect of the cover ensures that the data is still legible, even after years. It can easily be cleaned or changed and offers optimal protection against environmental influences.

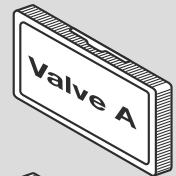
焊接式
Welding holder



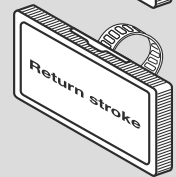
卡在导轨上
Universal holder support on rails



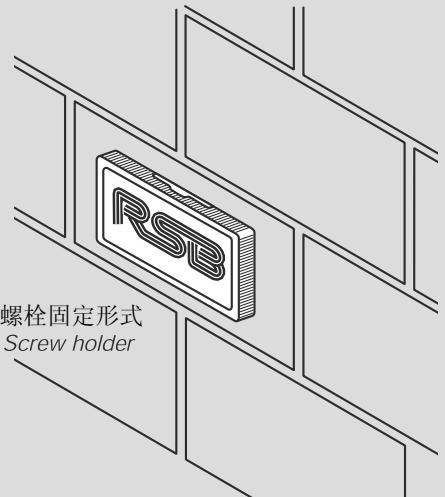
通用固定方式
Universal holder



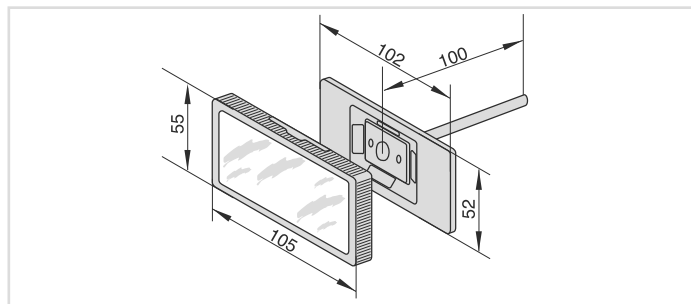
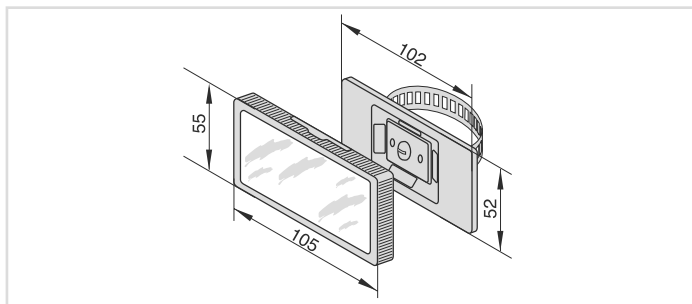
钢带绑系的方式
Universal holder with strap



螺栓固定形式
Screw holder

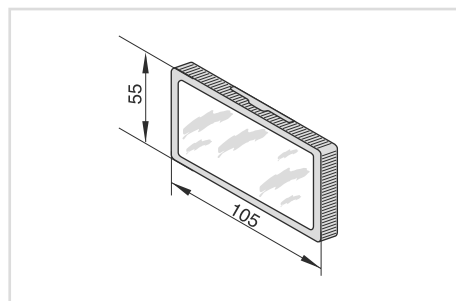
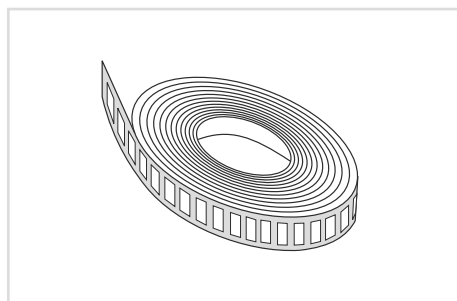
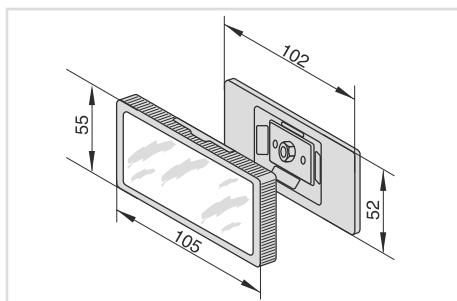


标牌
LABELING SYSTEM



通用固定架 Universal holder
包括塑料盖板和镀锌钢带。
适用 2 1/2" 以下的管子。
Complete with plastic cover and galvanized steel strap.
For tubes up to 2 1/2".
订购编号/Order code: **UNH**
包装: 25 只/包 / Packs of 25

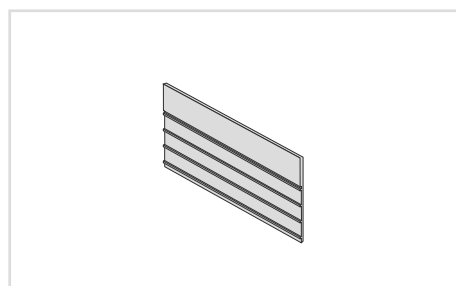
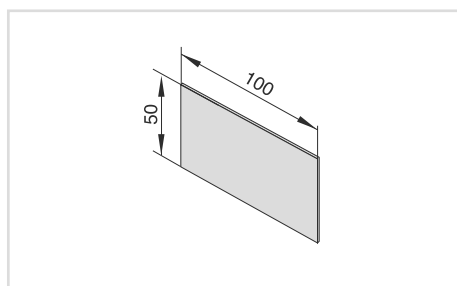
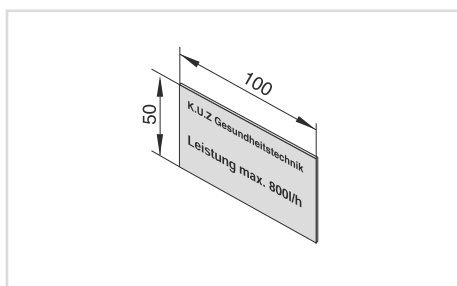
焊接固定架 Welding holder
包括塑料盖板和 100mm 长的焊接销钉。
Complete with plastic cover and 100 mm welding pin.
订购编号/Order code: **SWH**
包装: 25 只/包 / Packs of 25



螺接固定架 Screw holder
包括塑料盖板、M8 螺母和两只直径为 4mm 的螺孔。
Complete with plastic cover, M 8 nut and two additional screw holes 4 mm in diameter.
订购编号/Order code: **SRH**
包装: 25 只/包 / Packs of 25

钢带 Strap
适用于通用固定架, 用于 2 1/2" 以上的管子。
Suitable for the universal holder.
Use with tubes > 2 1/2".
订购编号/Order code:
镀锌钢/Galvanized steel **SPRZ**
不锈钢/Stainless steel 1.4571 **SPRA4**
包装: 5 米一卷 / Packed in 5m rolls

塑料盖 Plastic cover
透明的, 适用所有固定架。
Transparent, suitable for all holder types.
订购编号/Order code: **KAD**



铭牌 Engraved plate
双层塑料, 白色文字, 根据定单刻制。
Double-layer plastic, white lettering, engraved to order.
订购编号 - 颜色
Order codes-colours:
SGR- 红/red
SGR- 蓝/blue
SGR- 绿/green
SGR- 黄/yellow

光板 Smooth plate
光板, 用来粘贴标签条。
Smooth surface for the adhesion of stamped strips.
订购编号 - 颜色
Order codes-colours:
SGL- 红/red
SGL- 蓝/blue
SGL- 绿/green
SGL- 黄/yellow

空白槽板 Empty grooved plate
板上有槽, 用来插入标签条 (9.5mm)。
With grooves for inserting stamped strips 9,5 mm.
订购编号 - 颜色
Order codes-colours:
SNU- 红/red
SNU- 蓝/blue
SNU- 绿/green
SNU- 黄/yellow

所有金属件都是不锈钢的。
All metal parts available in stainless steel.

